

# ROTAXYS POSITIONING SYSTEM

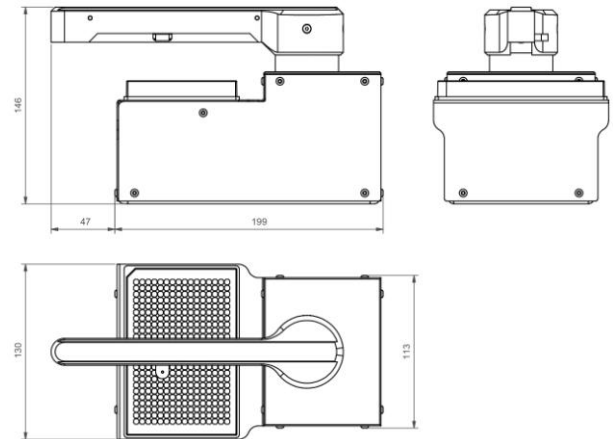
## Miniature positioning system

### Features

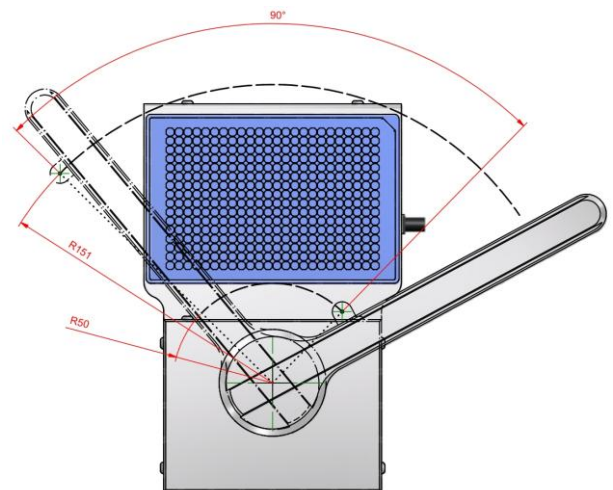
For the positioning of small items in small space applications like tubing outlets, needles, forceps there is the need for miniature positioning devices. The rotAXYS is perfect for processing well plates as well as microscope slides or other applicational items.



### Mechanical drawing



### Movement range



### Example application



### Mechanical Data

Dimensions (L x W x H) ..... 246 x 130 x 146 mm  
Weight ..... 1,9 kg

### Electrical Data

Power Supply Voltage ..... 24 VDC

### Interfaces

USB-RS232/CAN ..... 1.1 and 2.0

### Environment / Handling

Operating Temperature ..... 5°C to 45°C  
Storage Temperature ..... -10°C to 75°C  
Operating Humidity ..... 20% to 80%, non-condens.  
Storage Humidity ..... 20% to 80%, non-condens.

### Positioning Unit

Azimuth direction angle (rotation) ..... 90°  
Stroke (radius) ..... 101 mm  
Deviation (z-axis) ..... 12 mm

### Positioning Accuracy

Azimuth direction angle (rotation) ..... 0.056°  
Stroke (radius) ..... 0.01 mm  
Deviation (z-axis) ..... 1.56 µm

11/03/02