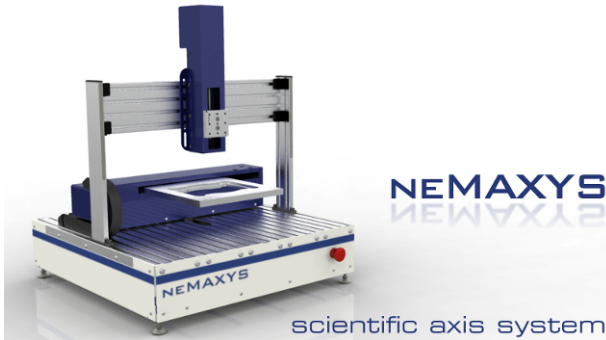


# NEMAXYS POSITIONING SYSTEM

## Universal modular tool platform

### Features

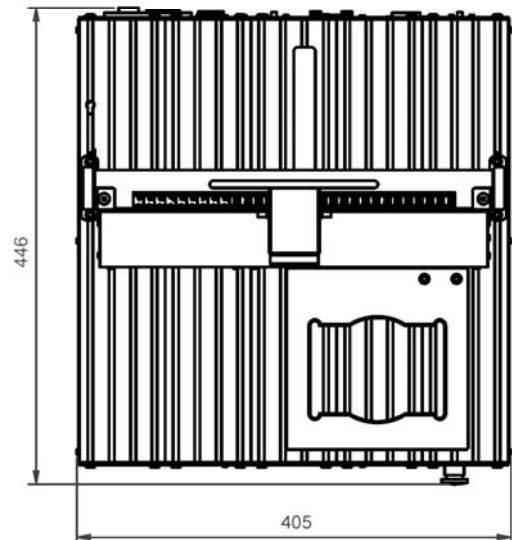
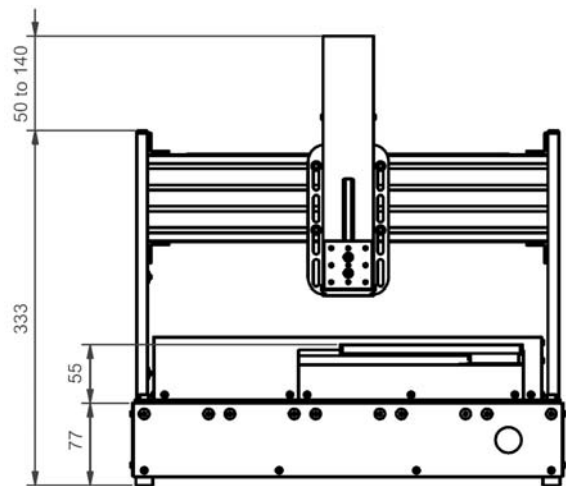
If you need x-y-z-moving in your application and want to mount various tools and instruments the neMAXYS positioning system will be the right choice.



### Positioning Accuracy

Positioning Error	
X .....	< 8 $\mu\text{m}$
Y .....	< 8 $\mu\text{m}$
Z .....	< 7 $\mu\text{m}$
Repetitive accuracy	
X .....	3 $\mu\text{m}$
Y .....	3 $\mu\text{m}$
Z .....	0.6 $\mu\text{m}$

### Mechanical drawing



The system is made of standard mounting parts so you can add your tools easily.

### Mechanical Data

Dimensions (L x W x H)..... 405 x 446 x 383 mm  
Weight ..... 15 kg

### Electrical Data

Power Supply Voltage ..... 85 ~ 264 VAC  
Frequency ..... 47 ~ 63 Hz  
Cascadable Systems..... up to 11

### Interfaces

USB ..... 1.1 and 2.0  
CAN ..... max. 1 Mbit / s  
RS232 ..... max. 115200 bit / s  
TTL Trigger Interface

### Environment / Handling

Operating Temperature ..... 0°C to 45°C  
Storage Temperature ..... -40°C to 75°C  
Operating Humidity..... 20% to 80%, non-condens.  
Storage Humidity..... 20% to 80%, non-condens.

### Positioning Unit

Stroke (X / Y / Z)..... 150 / 150 / 50 mm  
Optional Stroke (X / Y / Z) ..... 200 / 200 / 50 mm  
Other Strokes on request

### Positioning Speeds

Minimum velocity (X / Y / Z) ..... 68 / 68 / 16  $\mu\text{m/s}$   
Maximum velocity (X / Y / Z) ..... 100 / 100 / 50 mm/s  
Acceleration (X / Y / Z) ..... 5 / 5 / 1.7  $\text{m/s}^2$