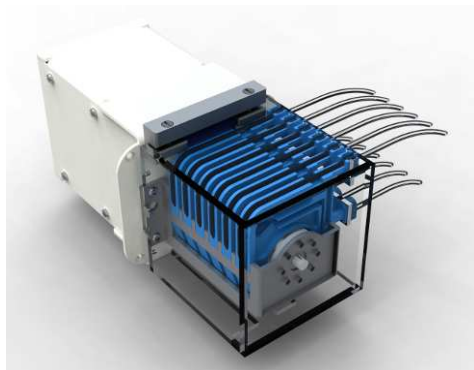


NEMESYS TUBE OEM

OEM tubing pump

Features

The neMESYS TUBE OEM-module is an OEM peristaltic pump that combines common tubing pump technology with the modular neMESYS drive and bus technology. This allows for flexible and easy integration of 6-channel tubing pump into your application or devices.



- Inlet and outlet on the same side
- Accurately adjustable pressure (2.5 mm Allen screw)
- Optimized tubing retainers for 2-stop tubing

Flow rates*

Tubing i.d. mm	ml per revolution	Tubing i.d. mm	ml per revolution	Tubing i.d. mm	ml per revolution
0.13	0.0013	0.89	0.038	1.52	0.10
0.19	0.0023	0.95	0.043	1.65	0.12
0.25	0.0036	1.02	0.049	1.75	0.13
0.38	0.0076	1.09	0.056	1.85	0.14
0.44	0.010	1.14	0.060	2.06	0.17
0.51	0.013	1.22	0.068	2.29	0.20
0.57	0.016	1.30	0.077	2.54	0.23
0.64	0.020	1.42	0.090	2.79	0.26
0.76	0.028				

*) Water, Tygon® tubing, without differential pressure

Connections

Interface	Connection
Supply	dual row male header (2 poles) Molex Mini-Fit Jr.™
CAN	dual row male header (4 poles) Molex Micro-Fit 3.0™
RS232	dual row male header (6 poles) Molex Micro-Fit 3.0™
Signal	dual row male header (16 poles) Molex Micro-Fit 3.0™

Mechanical Data

Weight..... 1,33 kg
Dimensions (L x B x H)..... 209 x 110 x 96.2 mm

Electrical Data

Power Supply Voltage 9 – 24 VDC
Current typical at 24 VDC 0,6 A
Current peak at 24 VDC 1,2 A

Environment

Operating Temperature -10°C to 45°C
Storage Temperature -40°C to 45°C
Operating Humidity 20% to 80%, non-condens.
Storage Humidity 20% to 80%, non-condens.

Interfaces

CAN max. 1 Mbit / s
RS-232 max. 115200 bit/s
USB optional (via additional USB-to-CAN adapter)

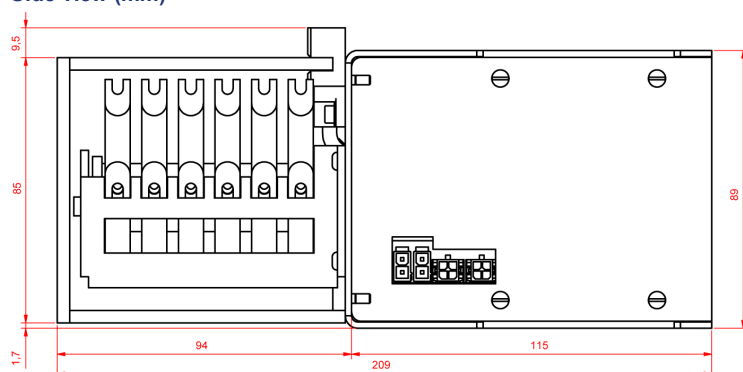
Performance

Rotation speed 0.1 – 60 rpm
Flow rate 0,00013 – 15,7 ml/min
Channels 1 – 6
Pump rollers 5

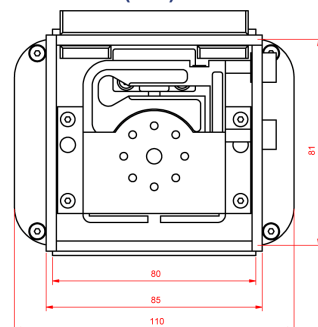
Tubing

Tubing type 2-stop collared tubing
Inner diameter 0.13 – 2.79 mm
Cassettes POM-C (blue)

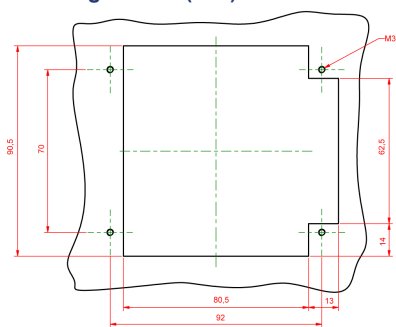
Side view (mm)



Front view (mm)



Mounting cut-out (mm)



2008-12-12

cetoni GmbH
Am Wiesenring 6
07554 Korbussen
Germany

Phone: +49 36602 338 0
Fax: +49 36602 338 11
Email: info@cetoni.de
www.cetoni.de

