

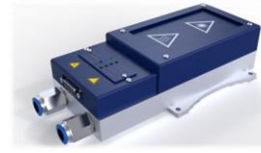
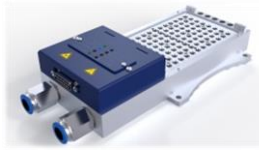
CELED 96 LED ARRAY

DESCRIPTION

Do you wish to perform up to 96 experiments simultaneously?

By using CETONI's ceLED 96 you're able to freely define your LED configuration. Thus, it is possible to realize very different wavelengths in a single LED array module with the opportunity to control up to 16 sectors individually via CETONI's automation software "QMIX Elements".

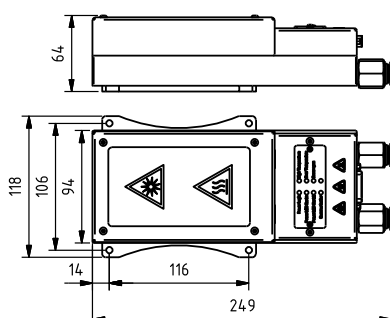
Either one of our standard LED array modules meets your expectations or we adapt it to your individual needs. If not sufficient we may even develop and build a completely customized LED array solution for you.



EXCERPT AVAILABLE LEDS

WAVELENGTH*	MIN. OPTICAL OUTPUT
365 nm	70 mW/sr
380 nm	70 mW/sr
400 nm	100 mW/sr
460 nm - blue	4.7 cd
545 nm - green	12 cd
660 nm - red	5 cd
white	11 cd
740 nm	50 mW/sr
855 nm	65 mW/sr
940 nm	60 mW/sr
1050 nm	16 mW/sr

MECHANICAL DRAWING



MECHANICAL DATA

Dimensions Array (L x W x H).....250 x 115 x 69 mm
 Dimensions Controller (L x W x H).....215 x 95 x 72 mm

ELECTRICAL DATA

Power Supply Voltage (Input)24 V DC

INTERFACES

CAN max. 1 Mbit/s
 RS232..... max. 115200 bit/s
 USB..... 1.1, 2.0

OPTICAL DATA

Number of LEDs96
 LED Package SMD 1515
 Max. Forward Current 350 mA
 Available Wavelengths* 365 nm – 1050 nm
 Luminosity adjustment4096 steps
 Separately Controllable Sectors16

WELL PLATE DIMENSIONS

Footprint (L x W x H)127.8 x 85.5 x 14.5 mm**

*Other LEDs on request

**Other dimensions on request



CELED 96 LED ARRAY

NOTES
