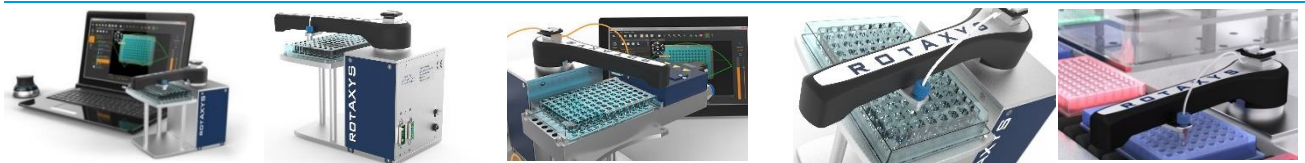




## ROTAXYS POSITIONING SYSTEM

### DESCRIPTION

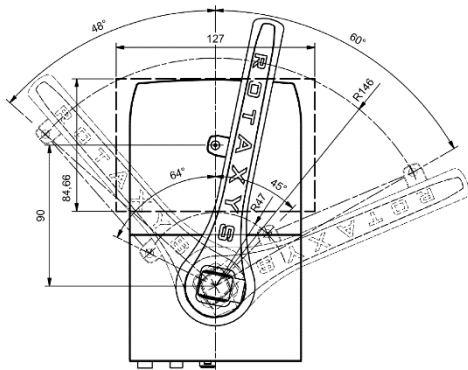
The precise positioning module rotAXYS convinces with its compact design and impressive performance. It is perfectly suited for fluid or small tool handling in less space environment. The versatile interfaces enable an easy integration of the rotAXYS into an existing CETONI setup or to use it as a standalone module.



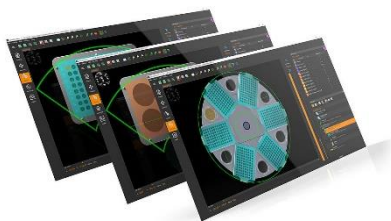
### POSITIONING VERSATILITY

The rotAXYS is ideally suited for processing well plates, microscope slides as well as other, non-standard laboratory sampling devices. You can easily combine this smart device with other CETONI products (e.g., neMESYS syringe pumps and Qmix devices) to expand your system flexibility.

### PROCESS AUTOMATION VIA QMIXELEMENTS



The rotAXYS sampling functions are embedded in the CETONI operating software QmixELEMENTS to allow a fast and easy implementation of positioning tasks. Optional programming libraries for self-integration are available.



### MECHANICAL DATA

Weight..... 1.9 kg  
Dimensions (L x W x H)..... 246 x 130 x 146 mm

### ENVIRONMENT

Operating Temperature..... 5 – 45 °C  
Storage Temperature ..... -10 – 75 °C  
Operating Humidity ..... 20 – 80 %, non-condensing  
Storage Humidity..... 20 – 80 %, non-condensing

### ELECTRICAL DATA

Power Supply Voltage (Input)..... 24 V DC

### INTERFACES

CAN ..... max. 1 Mbit/s

### POSITIONING DATA

Azimuth Direction Angle (Rotation)..... 90°  
Stroke (Radius) ..... 101 mm  
Deviation (Z-Axis)..... 12 mm

### POSITIONING ACCURACY

Azimuth Direction Angle (Rotation)..... 0.056°  
Stroke (Radius) ..... 0.01 mm  
Deviation (Z-Axis)..... 1.56 µm

### OPERATING SYSTEM

Windows XP / Vista 7 / 8 / 10 ..... 32 / 64 bit